

MAX-8

V2211.01



EP
Let's grow together

MAX-8

Excellent Performances & Reliability

CPCD15-18T8

T8 series 1.5-1.8t forklift

EP EQUIPMENT CO.,LTD
www.ep-ep.com

CPCD15/18T8

T8 series 1.5-1.8t forklift specification

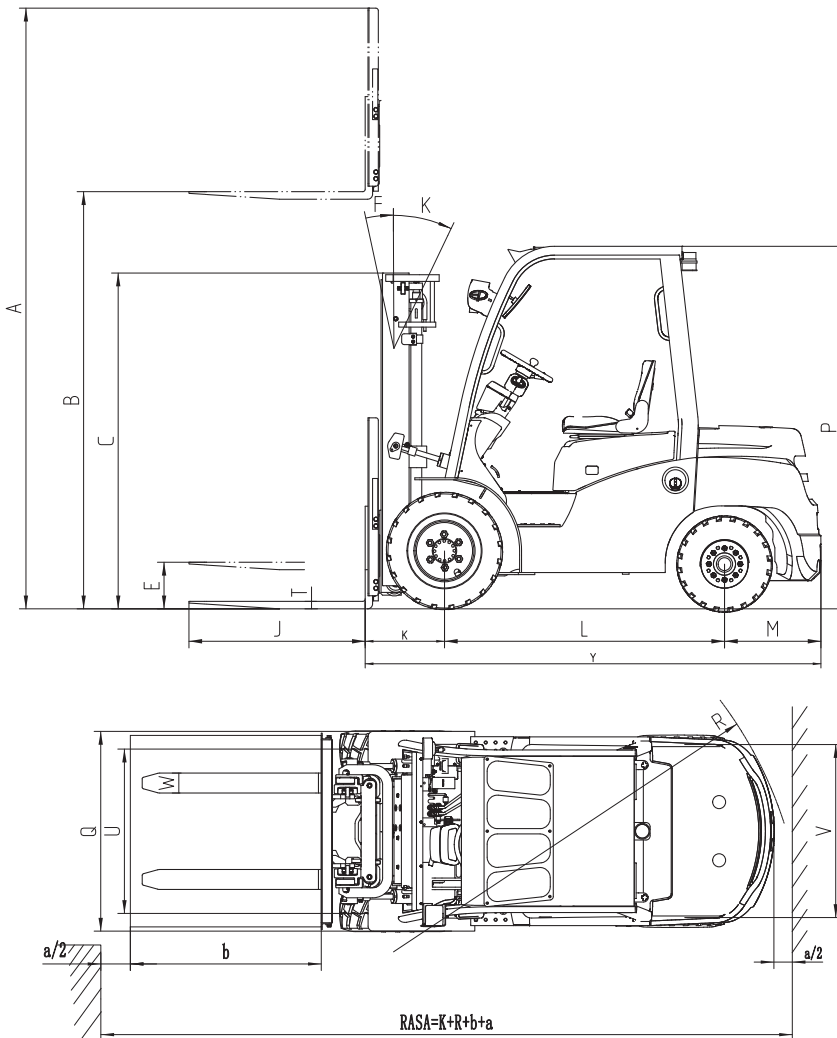
General		EP	
1	Manufacture	CPCD15T8-SAQ 2	CPCD15T8-NB485BPG
2	Model	Diesel	Diesel
3	Power type	Diesel	Diesel
4	Rated capacity	1500	1500
5	Load center	500	500
6	Lift height	3000	3000
7	Free lift height	120	120
8	Fork size	920×100×40	920×100×40
9	Mast tilt range	6/12	6/12
10	Fork overhang(wheel center to fork face)	420	420
11	Rear overhang	420	420
12	Length to face of fork	2270	2320
13	Overall width	1080	1080
14	Mast lowered height	1995	1995
15	Mast extended height	3960	3960
16	Overhead guard height	2070	2070
17	Turning radius(outside)	1995	2035
18	Min.tight angle stacking aisle width (Add load length and clearance)	2400	2440
19	Travel (No load)	14	14
20	Speed	460	460
21	Lowering (Full load)	450	450
22	Max. Drawbar Pull (Full load)	14300	14800
23	Max. Gradeability (Full load)	20	20
24	Tyres	6.50-10-10PR	6.50-10-10PR
25	Tread	5.00-8-10PR	5.00-8-10PR
26	Wheelbase	920	920
27	Ground clearance	920	920
28	Self weight	1430	1430
29	Weight distribution	110	110
30	Weight distribution	140	140
31	Weight distribution	2700	2900
32	Weight distribution	3570	3995
33	Weight distribution	630	705
34	Weight distribution	1215	1305
35	Weight distribution	1485	1595
36	Battery	12/60	12/60
37	Modal	S4Q2	S4Q2
38	Manufacture	Mitsubishi	Mitsubishi
39	Rated output/r.p.m	32.9/2500	32.9/2500
40	Rated torque/r.p.m	135/2000	135/2000
41	No. of cylinder	4	4
42	Bore×Stroke	88×103	88×103
43	Displacement	2505	2505
44	Fuel tank capacity	50	50
45	Manufacture	OEM	OEM
46	Type	Powershift	Powershift
47	Stage	1/1	1/1
48	Operating pressure	15	15

1. Special lifting height available (2-stage mast : 2.5m,2.7m,3.0m,3.3m,3.5m,3.6m,3.7m,4m,4.3m,4.5m,5m. Full Free Duplex Mast 3.0m,3.3m,3.5m,3.6m, 3-stage mast : 4.3m,4.5m,4.8m,5m,5.5m,6m)
 2. Attachment available. 3. The specification in the table are for standard models only,For further information please contact us. 4.Specification are subject to change without notice.

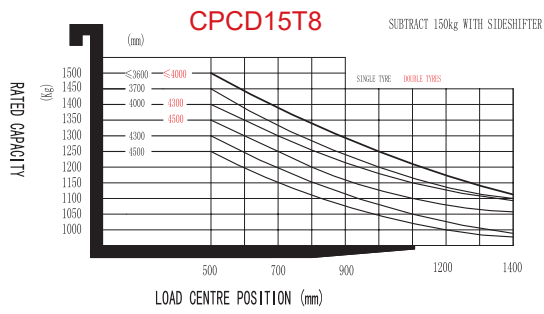
1.5~1.8t T8 series mast: (pneumatic)

Type	Model	Max. fork height	Overall height				Free lift		Front Overhang		Tilt range		Capacity			
			Lowered	Extended		Without backrest	With backrest	1.5t	1.8t	FWD	BWD	Load capacity at 500 mm				
				Without backrest	With backrest							Single tire		Double tire		
												1.5t	1.8t	1.5t	1.8t	
Wide view mast	2W200	2000	1495	2585	2955	120	120	420	420	6	12	1500	1800	1500	1800	
	2W250	2500	1745	3085	3455	120	120	420	420	6	12	1500	1800	1500	1800	
	2W270	2700	1845	3285	3655	120	120	420	420	6	12	1500	1800	1500	1800	
	2W300	3000	1995	3585	3955	120	120	420	420	6	12	1500	1800	1500	1800	
	2W330	3300	2145	3885	4255	120	120	420	420	6	12	1500	1800	1500	1800	
	2W350	3500	2245	4085	4455	120	120	420	420	6	12	1500	1800	1500	1800	
	2W360	3600	2295	4185	4555	120	120	420	420	6	12	1500	1800	1500	1800	
	2W400	4000	2545	4585	4955	120	120	420	420	6	12	1400	1700	1500	1800	
	2W430	4300	2695	4885	5255	120	120	420	420	6	6	1300	1600	1400	1700	
2W450	4500	2795	5085	5455	120	120	420	420	6	6	1250	1500	1350	1600		
wide view full 2-stage mast	2F250	2500	1790	3105	3455	1045	765	420	420	6	12	1500	1800	1500	1800	
	2F270	2700	1890	3305	3655	1145	865	420	420	6	12	1500	1800	1500	1800	
	2F300	3000	2040	3605	3955	1345	1105	420	420	6	12	1500	1800	1500	1800	
	2F330	3300	2190	3905	4255	1495	1165	420	420	6	12	1500	1800	1500	1800	
	2F360	3600	2340	4205	4555	1645	1315	420	420	6	12	1500	1800	1500	1800	
	2F400	4000	2540	4605	4955	1815	1565	420	420	6	12	1400	1700	1500	1800	
wide view full 3-stage mast	3F430	4300	1965	5070	5255	1425	1080	440	440	6	6	1250	1500	1350	1600	
	3F450	4500	2045	5130	5465	1485	1140	440	440	6	6	1200	1400	1300	1500	
	3F480	4800	2160	5445	5755	1575	1230	440	440	6	6	1100	1300	1200	1400	
	3F500	5000	2210	5605	5955	1665	1320	440	440	6	6	1050	1200	1150	1300	
	3F550	5500	2375	6120	6455	1825	1480	440	440	3	6	/	/	950	1100	
	3F600	6000	2600	6695	6955	1975	1630	440	440	3	6	/	/	750	900	

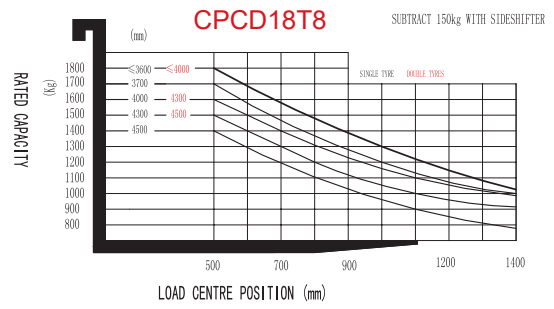
Note:1. With sideshifter minus 150Kg, with integral sideshifter minus 100Kg.



RATED CAPACITIES AND LOAD CENTERS GRAPH



RATED CAPACITIES AND LOAD CENTERS GRAPH



Option

Options		15/18T8
1	Fork length	○
2	Fork extension	○
3	Folded fork	○
4	Imported diesel engine	○
5	Import Gasoline Engine	○
6	LPG system	○
7	High exhaust	○
8	Dual air cleaners or special air cleaner	○
9	Solid rubber tire	○
10	No marking solid tire	○
11	Overhead guard	●
12	Mast options	○
13	Attachments	○
14	Integrated side shift	○
15	Cockpit	●
16	heater	○
17	Front windshield with wiper	○
18	Rear windshield with wiper	○
19	Fan	○
20	Full steel cabin room	○
21	LED front light	●
22	Rear working LED light	○
23	Fire extinguisher	○
24	Suspension seat	○
25	Seat switch	●
26	Warning light	●
27	Insulation mat	○
28	Double front tyre	○
29	OPS system	○

Note: ● standard ○ option — NA